

## Product information sheet MIDA

Item no. 517742

### Benefits

---



- Gently rounded spout on a slender body
- For the easy filling of tall pots and vases
- Enlarged working radius thanks to the 360° swivel spout

### Colours

---



Available colours:

chrome

galvanic chrome

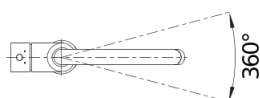
## Scope of supply

---

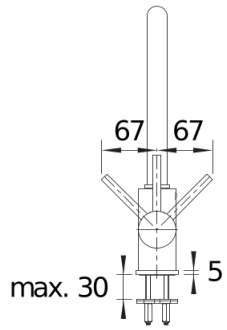
- 360° swivel spout for greater reach
- Ceramic disk cartridge
- Flexible connector pipes, 350 mm long and  $\frac{3}{8}$ " nut for particularly easy installation
- Nylon-sheathed spray hose
- With non-return valve and thus guaranteed against reflux in accordance with EN 1717
- Ø 35 mm tap hole required
- Stabilisation plate to increase the stability of the tap when fitted in stainless steel sinks
- With non-return valve and thus guaranteed against reflux in accordance with EN 1717
- LGA approved
- DVGW approved

## Details

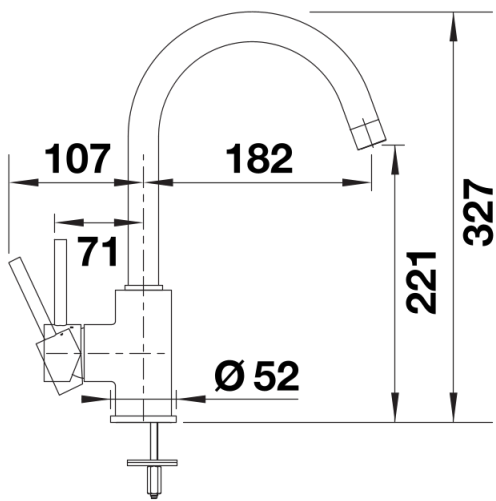
---



## Swivel range



Side view hand gear 2D



Side view